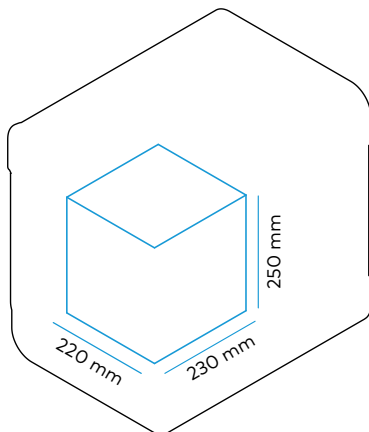
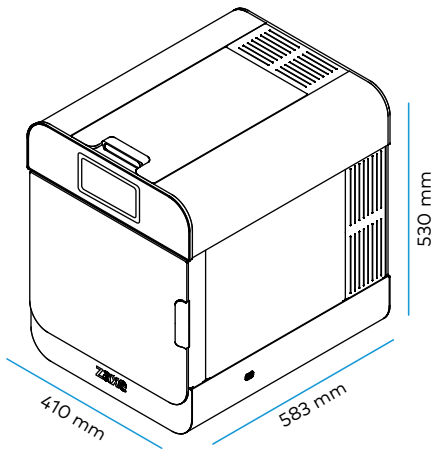


zaxe

Zaxe X3



Technical Specifications



User Panel	5" Color Touch Screen
Printer Size (WxLxH)	410 x 583 x 530 mm
Print Volume	220 x 230 x 250 mm
Layer Thickness	25-500 Micron
Printhead	Single
Print Area	Closed, Heat Insulated
Printhead Temp.	Max. 280°C
Maximum Table Temp.	110°C
Nozzle Diameter	0,2/0,4/0,6/0,8 mm
Calibration	Fully Automatic
Camera	Yes
Power Outage Protection	Yes
Filament Sensor	Yes
Filament Diameter	1,75 mm
Supported Formats	.stl, .obj, .3mf, .x3d, .gcode
Connection Options	Wi-Fi, Ethernet, USB
Filter	Hepa+Carbon Filter
Warranty Period	24 Months
Printing Table	Flexible, Magnetic PEI Build Plate
Filament Types	PLA, ABS, PETG, Nylon, Flex, Carbonfibre, Wood, Copper, Metal, etc.