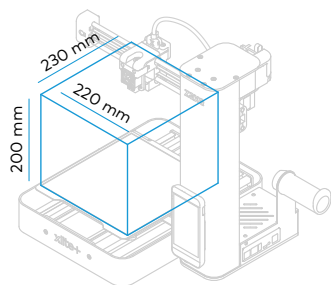
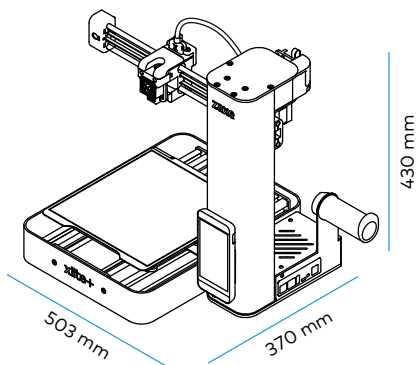


zaxe

Zaxe **xlite+**



Technical Specifications



User Panel	5" Color Touch Screen
Printer Size (WxLxH)	503 x 370 x 430 mm
Print Volume	220 x 230 x 200 mm
Layer Thickness	25-600 Micron
Printhead	Single
Print Area	Open
Printhead Temp.	Max. 280°C
Maximum Table Temp.	110°C
Nozzle Diameter	0,2/0,4/0,6/0,8 mm
Calibration	Fully Automatic
Power Outage Protection	Yes
Filament Sensor	Yes
Filament Diameter	1.75 mm
Supported Formats	.stl, .obj, .amf
Connection Options	Wi-Fi, Ethernet, USB
Warranty Period	24 Months
Printing Table	Flexible, Magnetic PEI Build Plate
Filament Types	PLA, ABS, PETG, FLEX