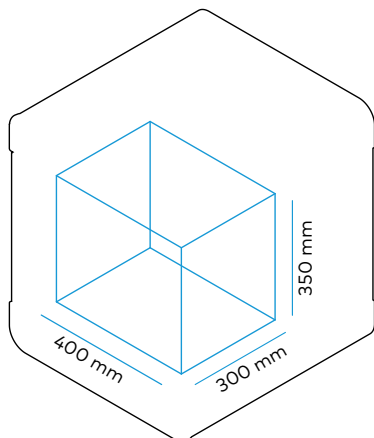
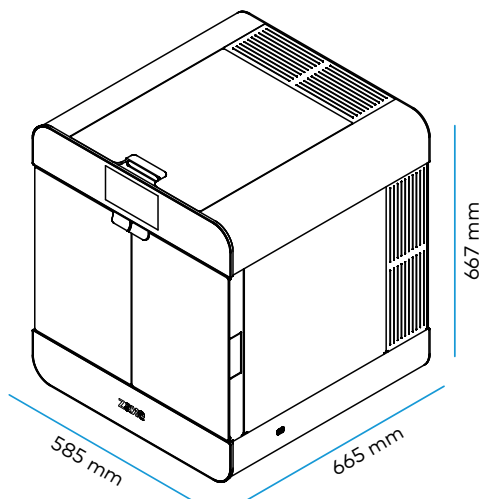


zaxe

Zaxe Z3



Technical Specifications



User Panel	7" Color Touch Screen
Printer Size (WxLxH)	585 x 665 x 667 mm
Print Volume	400 x 300 x 350 mm
Layer Thickness	25-600 Micron
Printhead	Single
Print Area	Closed, Heat Insulated
Printhead Temp.	Max. 280°C
Maximum Table Temp.	110°C
Nozzle Diameter	0,2/0,4/0,6/0,8 mm
Calibration	Fully Automatic and Z Tilt
Camera	Yes
Power Outage Protection	Yes
Filament Sensor	Yes
Filament Diameter	1,75 mm
Supported Formats	.stl, .obj, .amf
Connection Options	Wi-Fi, Ethernet, USB
Filter	Hepa+Carbon Filter
Warranty Period	24 Months
Printing Table	Flexible, Magnetic PEI Build Plate
Filament Types	PLA, ABS, PETG, Nylon, Flex and Carbonfiber, Wood, Copper, Metal Filled Filaments